



AGAE

# AGxE

## Metal Wall Mount Enclosure for GWNxx and GWNPxx Gas Platforms

### Product Overview

The AGxE Series is a rugged metal wall mount enclosure for GWNxx and GWNPxx gas platforms. The AGxE provides a modular solution for applications that require a rugged enclosure along with an integral audible horn and 10 A relay for direct fan control.

The AGxE is ideal for applications such as parking garage ventilation control and ensuring OSHA air quality compliance in mechanical rooms, commercial buildings, factories, vehicle bays and sally ports for ambulance, police, fire, taxi, etc.

### Product Identification

Part Number	Description
AGAE	Metal enclosure for GWNxx analog gas platform
AGPE	Metal enclosure for GWNPxx protocol gas platform

### Specifications

AGAE*	
<b>Output (Requires GWN Module)</b>	GWNMxx: 4 to 20 mA GWNVxx: 0 to 5 Vdc / 0 to 10 Vdc GWN1xx: Relay only
<b>Input Power</b>	Class 2, 15 to 30 Vdc / 24 Vac ± 20%, 50/60 Hz
<b>Operating Temperature</b>	-20 to 50 °C (-4 to 122 °F)
<b>Operating Humidity</b>	0 to 90% RH non-condensing
<b>Terminal Block Wire Size</b>	30 to 12 AWG
<b>Terminal Block Torque</b>	0.5 to 0.6 n-m (0.37 to 0.44 in-lbs)
<b>Protection Class</b>	IP20
<b>Relay</b>	N.O./N.C. 10 A; 250 Vac max., 50/60 Hz
<b>Limited Warranty</b>	5 years**
AGPE***	
<b>Output (Requires GWNPxx Module)</b>	BACnet and Modbus (selectable)
<b>Input Power</b>	Class 2, 15 to 30 Vdc / 24 Vac ± 20%, 50/60 Hz
<b>Operating Temperature</b>	-20 to 50 °C (-4 to 122 °F)
<b>Terminal Block Wire Size</b>	30 to 12 AWG
<b>Terminal Block Torque</b>	0.5 to 0.6 n-m (0.37 to 0.44 in-lbs)
<b>Protection Class</b>	IP20
<b>Relay</b>	N.O./N.C. 10 A; 250 Vac max., 50/60 Hz
<b>Limited Warranty</b>	5 years**

\* Requires GWN Series platform and AG Series sensors.

\*\*The AG Series gas sensors are warranted for two years from the date of manufacture. The AG Series sensors are not included in the five-year GWNP warranty.

\*\*\*Output (requires GWNPxx module) BACnet and Modbus (selectable on module).

## Regulatory Information

DANGER

**HAZARD OF ELECTRIC SHOCK, EXPLOSION, OR ARC FLASH**

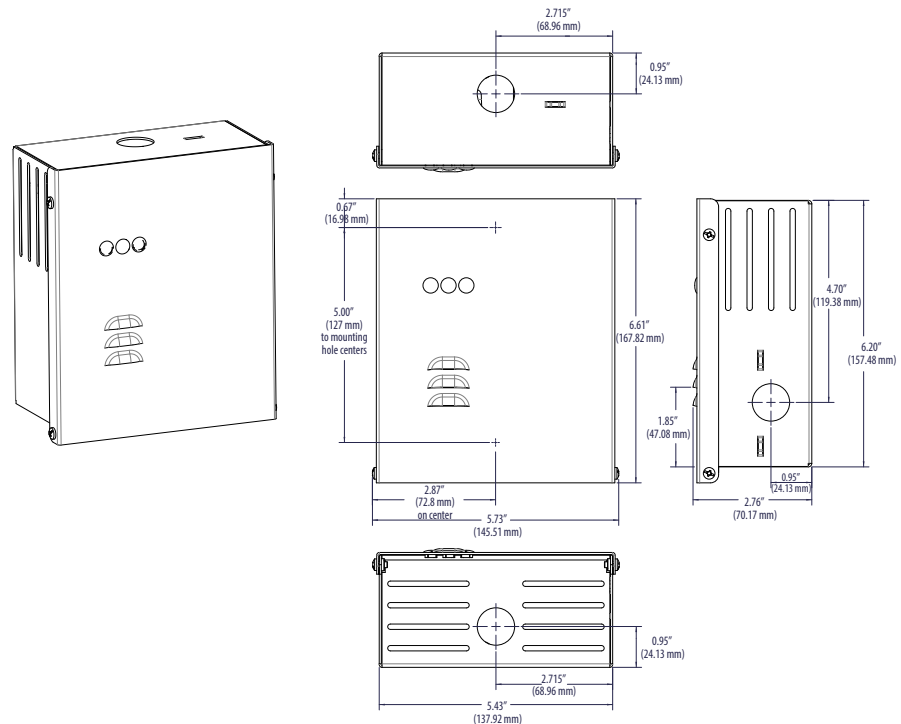
- Follow safe electrical work practices. See NFPA 70E in the USA, or applicable local codes.
- This equipment must only be installed and serviced by qualified electrical personnel.
- Do not use this product for life or safety applications.
- Do not install this product in hazardous or classified locations.
- Read, understand and follow the instructions before installing this product.
- Turn off all power supplying equipment before working on or inside the equipment.
- Product may use multiple voltage/power sources. Disconnect ALL sources before servicing.
- Use a properly rated voltage sensing device to confirm that power is off. DO NOT depend on this product for voltage indication.
- Replace all doors, covers and protective devices before powering the equipment.
- The installer is responsible for conformance to all applicable codes.

**Failure to follow these instructions will result in death or serious injury.**

A qualified person is one who has skills and knowledge related to the construction and operation of this electrical equipment and installations, and has received safety training to recognize and avoid the hazards involved. NEC Article 100

If this product is used in a manner not specified by the manufacturer, the protection provided by the product may be impaired. No responsibility is assumed by the manufacturer for any consequences arising out of the use of this material.

## Dimensions



## Installation



Observe precautions for handling static sensitive devices to avoid damage to the circuitry that is not covered under the factory warranty.

### Notes:

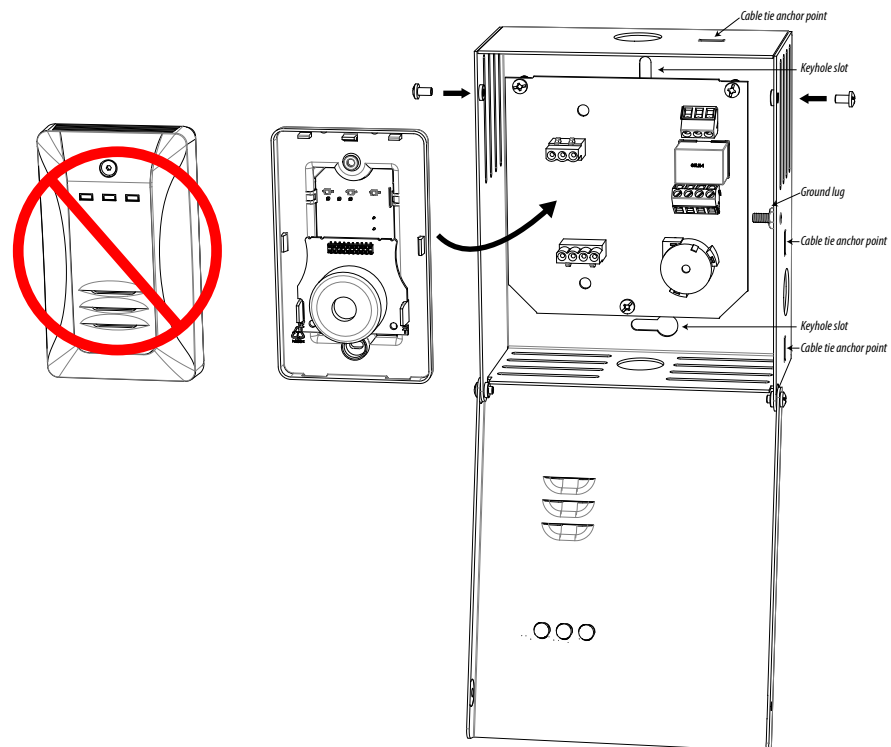
Follow local and national building codes for installation.

To provide adequate protection, a circuit breaker rated 8 A or less, or a switch, must be provided and within easy reach of the AGxE enclosure. The circuit breaker or switch must be marked as the disconnection device for the AGxE.

To clean the enclosure, use a cloth to remove dust. Do not spray with liquids.

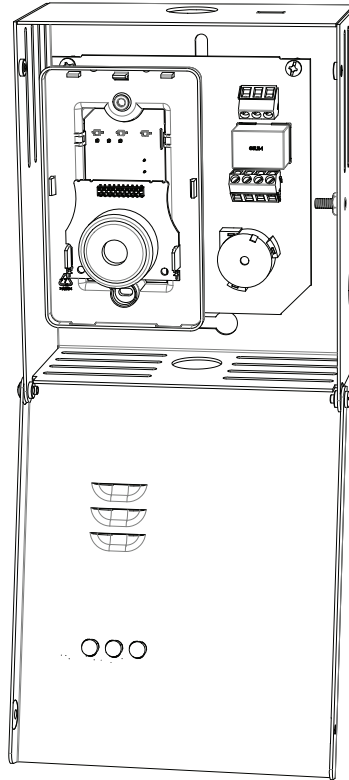
1. Swing the lid of the AGxE enclosure downward to the open position.
2. Place the AGxE enclosure on the mounting location and mark mounting screw locations.
3. Apply screws, leaving approximately 1/8" (3 mm) between screw head and mounting surface.
4. Using keyhole slots, hang the AGxE enclosure on the mounting surface. Tighten screws.
5. Remove the plastic front cover of the GWN Series gas platform device to expose the gas detection sensor. Retain the cover, as it contains DIP switch settings for your reference. DIP switch settings are also included in the installation guides for the GWN and GWNP gas sensors.
6. Align the GWN sensor and push it into the two matching connectors on the AGxE enclosure.
7. Plug the unused 3/4" (19 mm) hole with the provided plug.
8. Attach wires to the terminal blocks as described in the Wiring section.
9. Close lid and secure with the supplied screws.

### Installing the GWN Series Gas Platform Device in the AGxE Enclosure

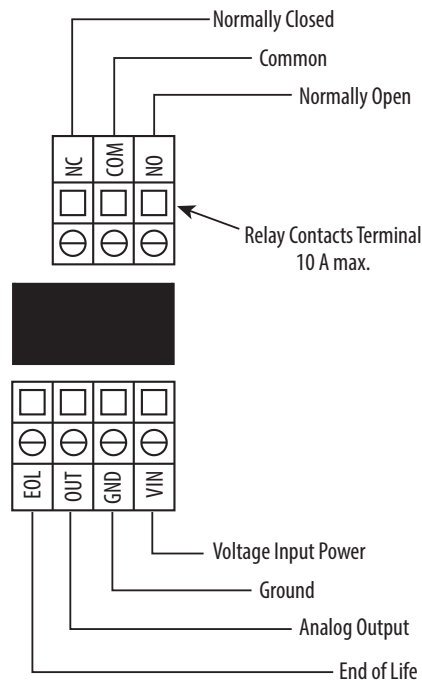


Installation (cont.)

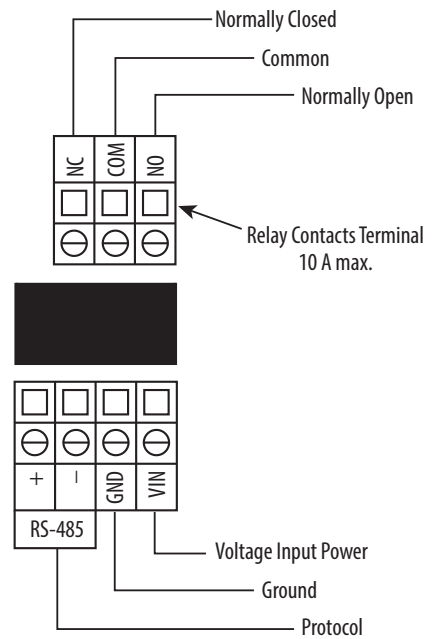
*AGxE Enclosure with GWN Series Gas Platform Device Installed*



AGAE Wiring Connections  
(GWNMxx, GWNVxx, GWN1xx)

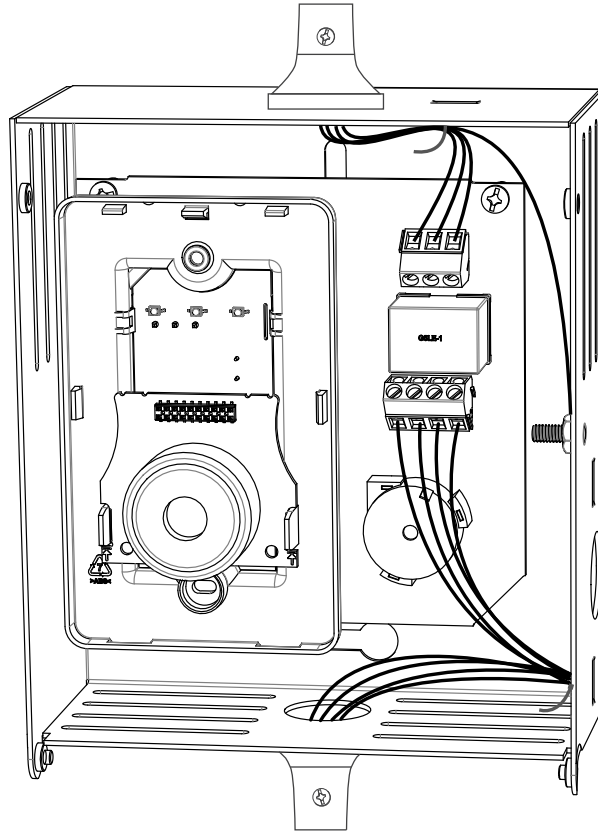


AGPE Wiring Connections (GWNPxx)



Wiring (cont.)

Wiring Example



China RoHS Compliance Information - Environment Friendly Use Period (EFUP) Table

Part Name	有害物质 - Hazardous Substances					
	铅 (Pb)	汞 (Hg)	镉 (Cd)	六价铬 (Cr (VI))	多溴联苯 (PBB)	多溴二苯醚 (PBDE)
金属部件 Metal parts	O	O	O	X	O	O
塑料部件 Plastic parts	O	O	O	O	X	X
电子件 Electronic	X	O	O	X	X	X
触点 Contacts	O	O	O	X	X	X

本表格依据SJ/T11364的规定编制。

O: 表示该有害物质在该部件所有均质材料中的含量均在GB/T 26572规定的限量要求以下。

X: 表示该有害物质至少在该部件的某一均质材料中的含量超出GB/T 26572规定的限量要求。

(企业可在此处，根据实际情况对上表中打 X 的技术原因进行进一步说明。)

This table is made according to SJ/T 11364.

O: indicates that the concentration of hazardous substance in all of the homogeneous materials for this part is below the limit as stipulated in GB/T 26572.

X: indicates that concentration of hazardous substance in at least one of the homogeneous materials used for this part is above the limit as stipulated in GB/T 26572

Z000061-0B